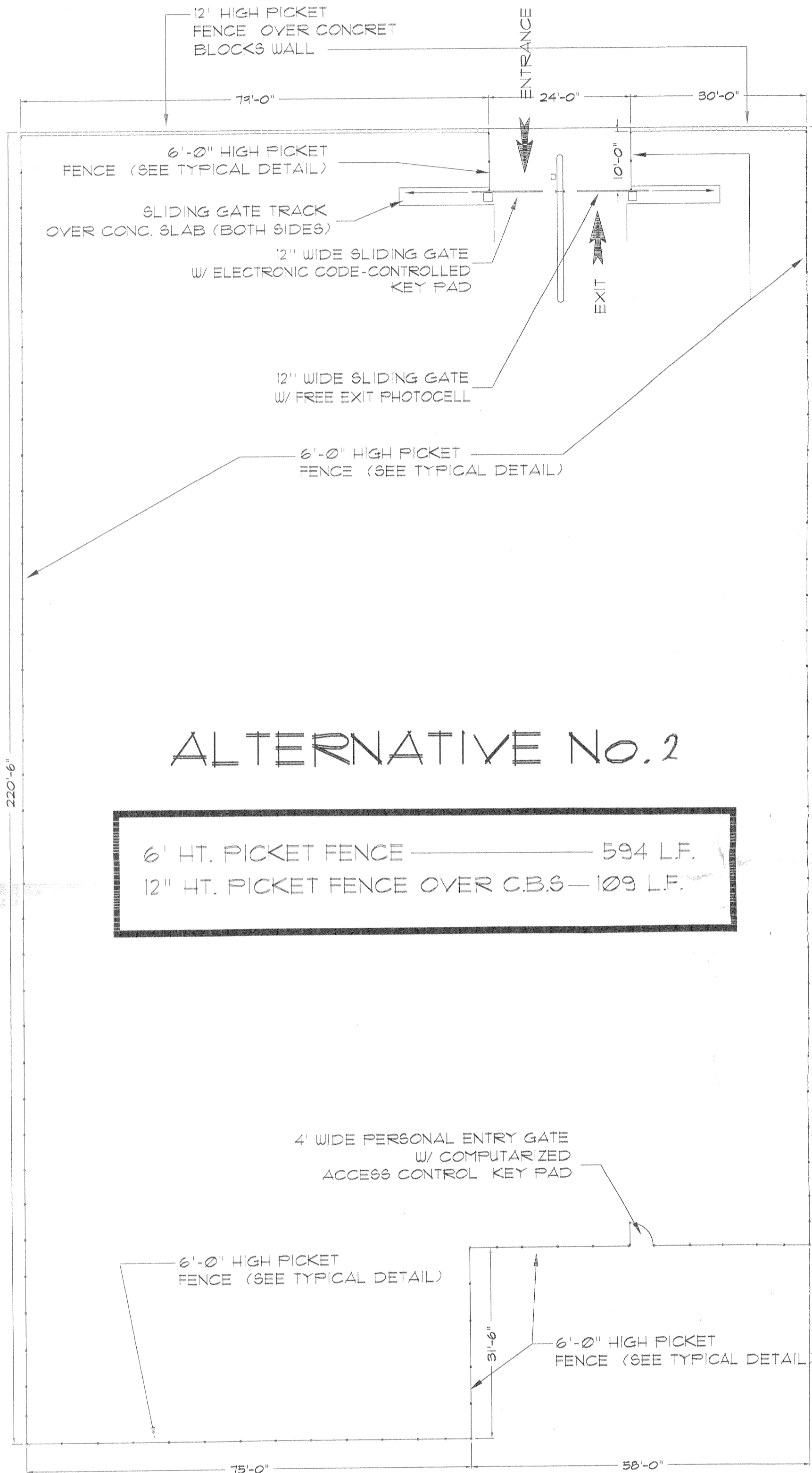


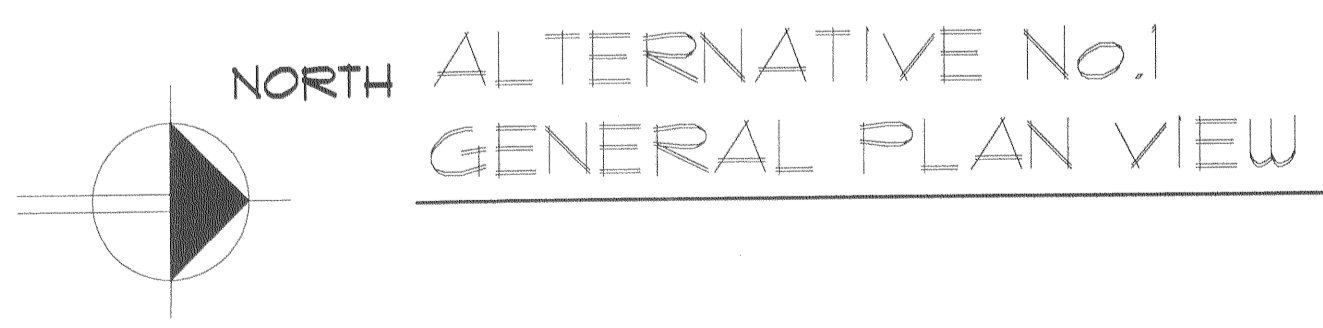
ATLANTIC BLVD.



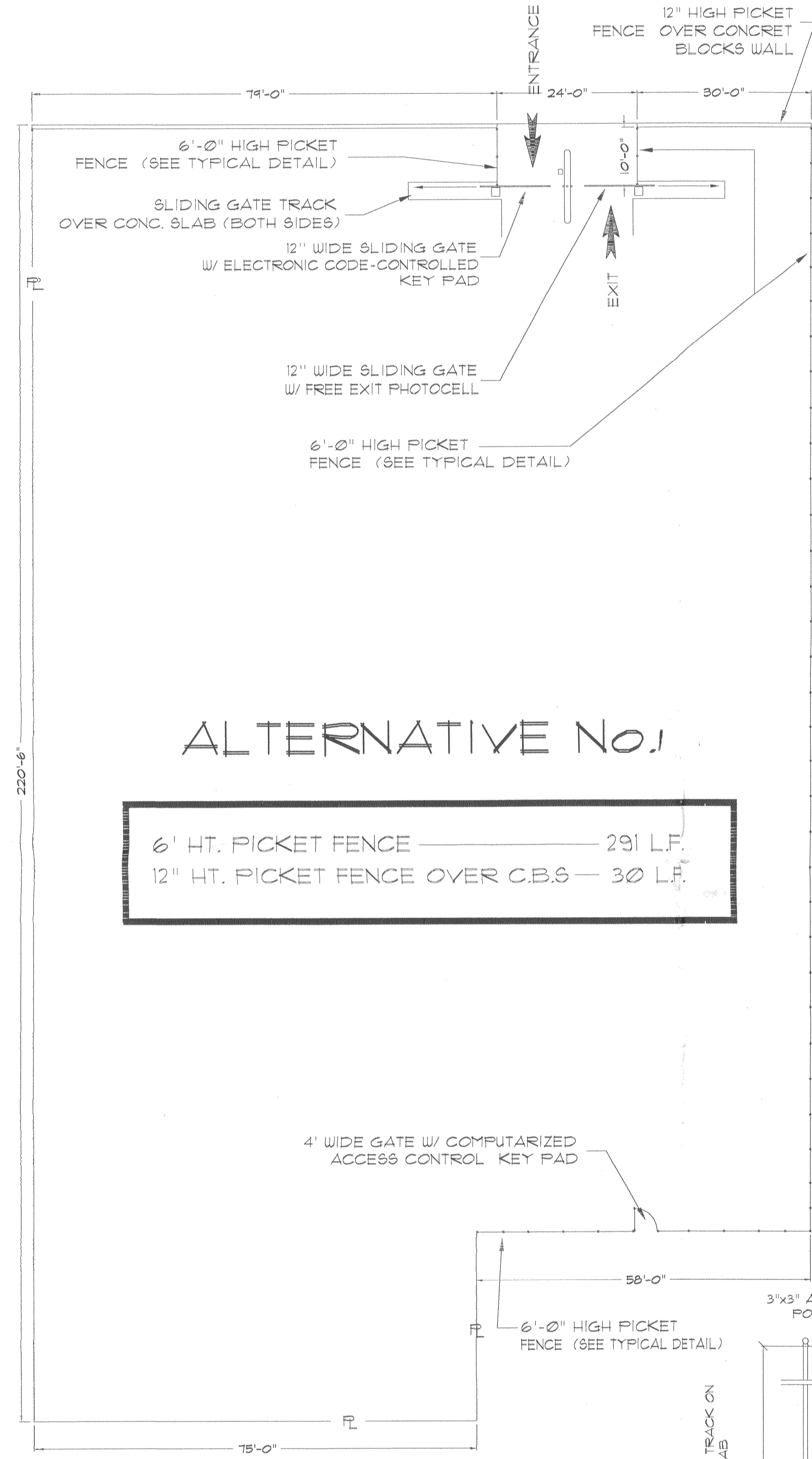
ALTERNATIVE No. 2

6' HT. PICKET FENCE ————— 594 L.F.  
 12" HT. PICKET FENCE OVER C.B.S. — 109 L.F.

COLLINS AVENUE



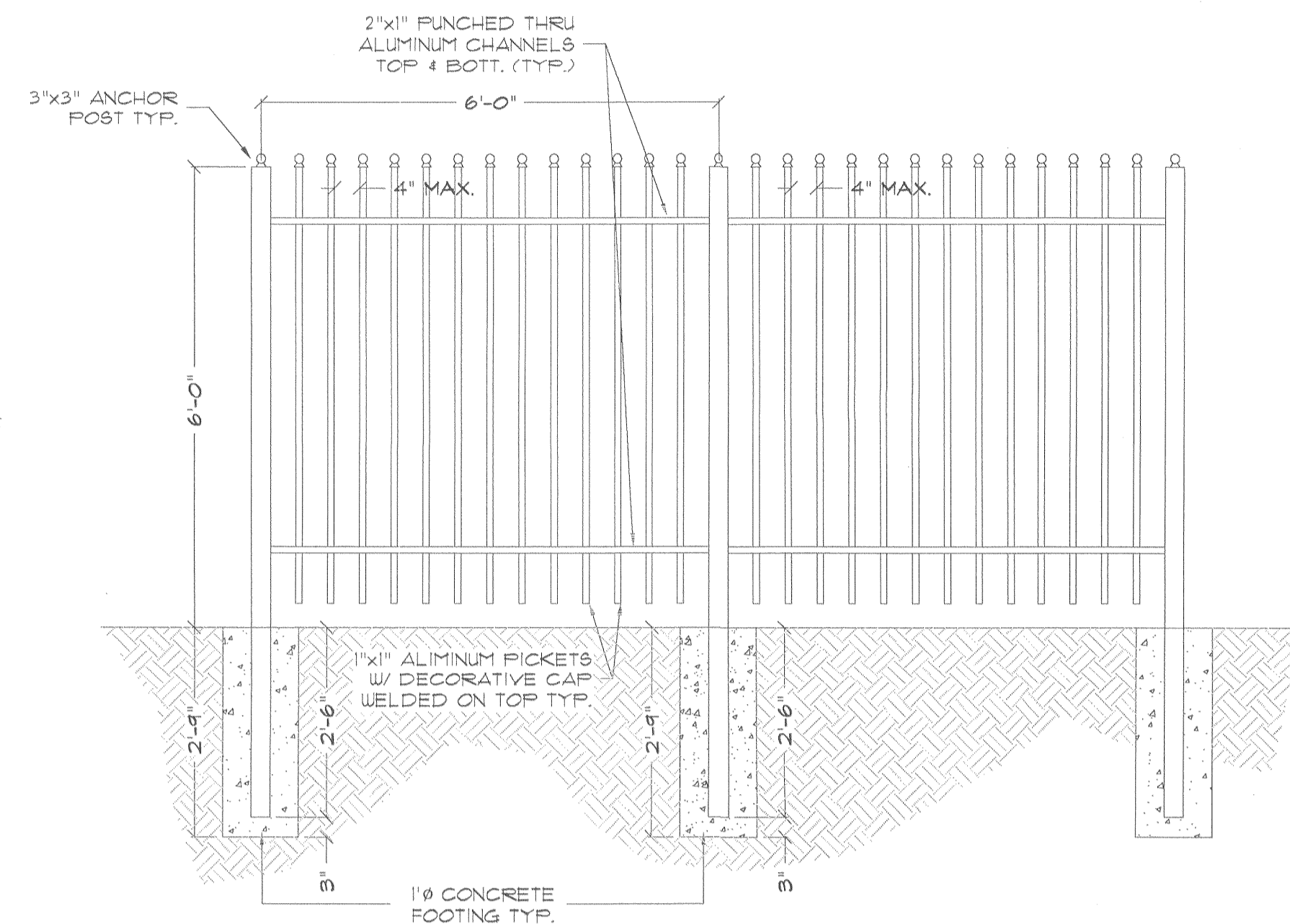
ATLANTIC BLVD.



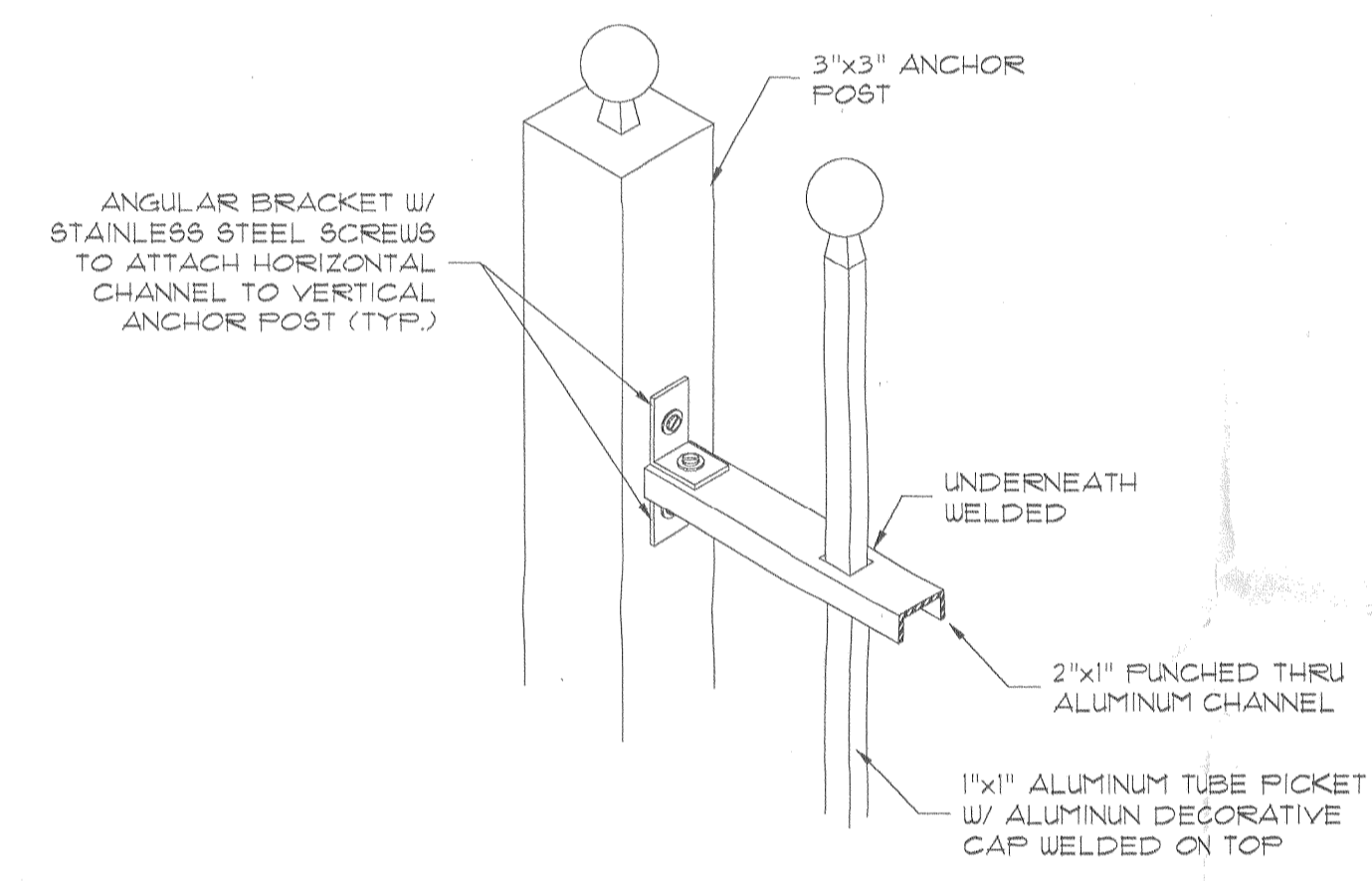
ALTERNATIVE No. 1

6' HT. PICKET FENCE ————— 291 L.F.  
 12" HT. PICKET FENCE OVER C.B.S. — 30 L.F.

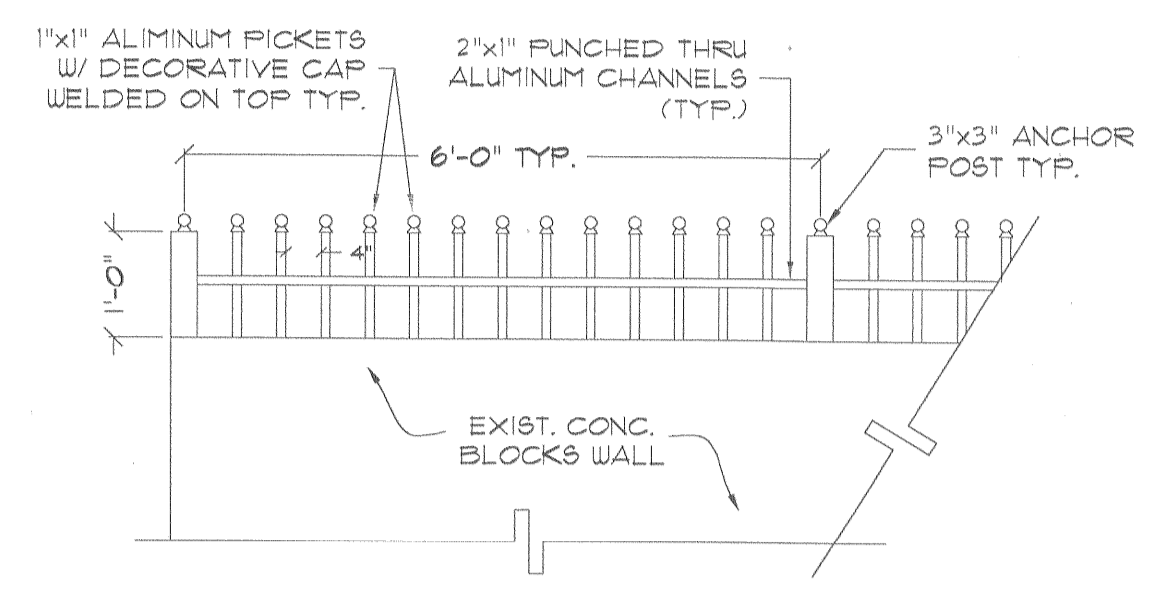
COLLINS AVENUE



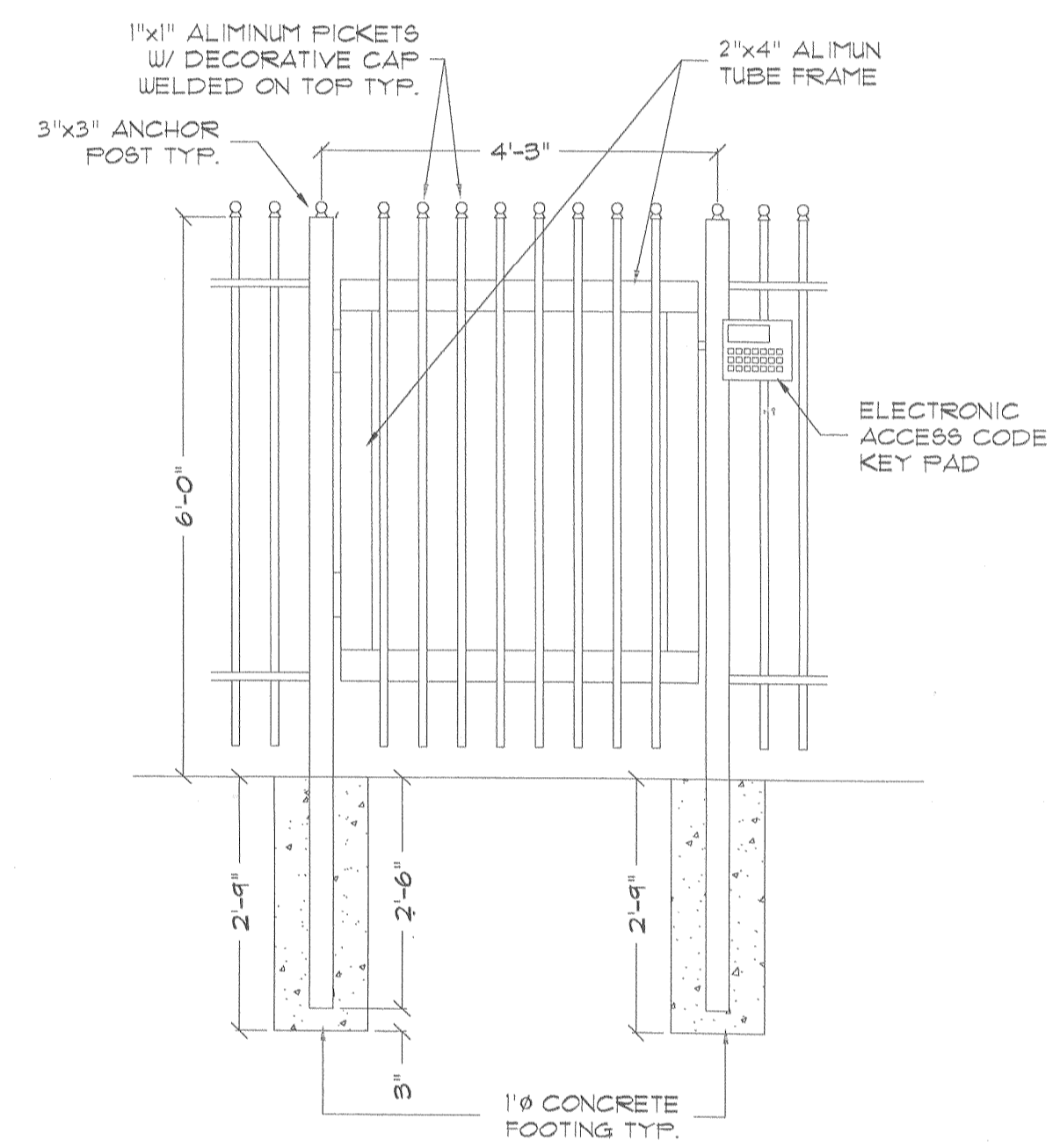
TYPICAL 6' HT. PICKET FENCE  
N.T.S.



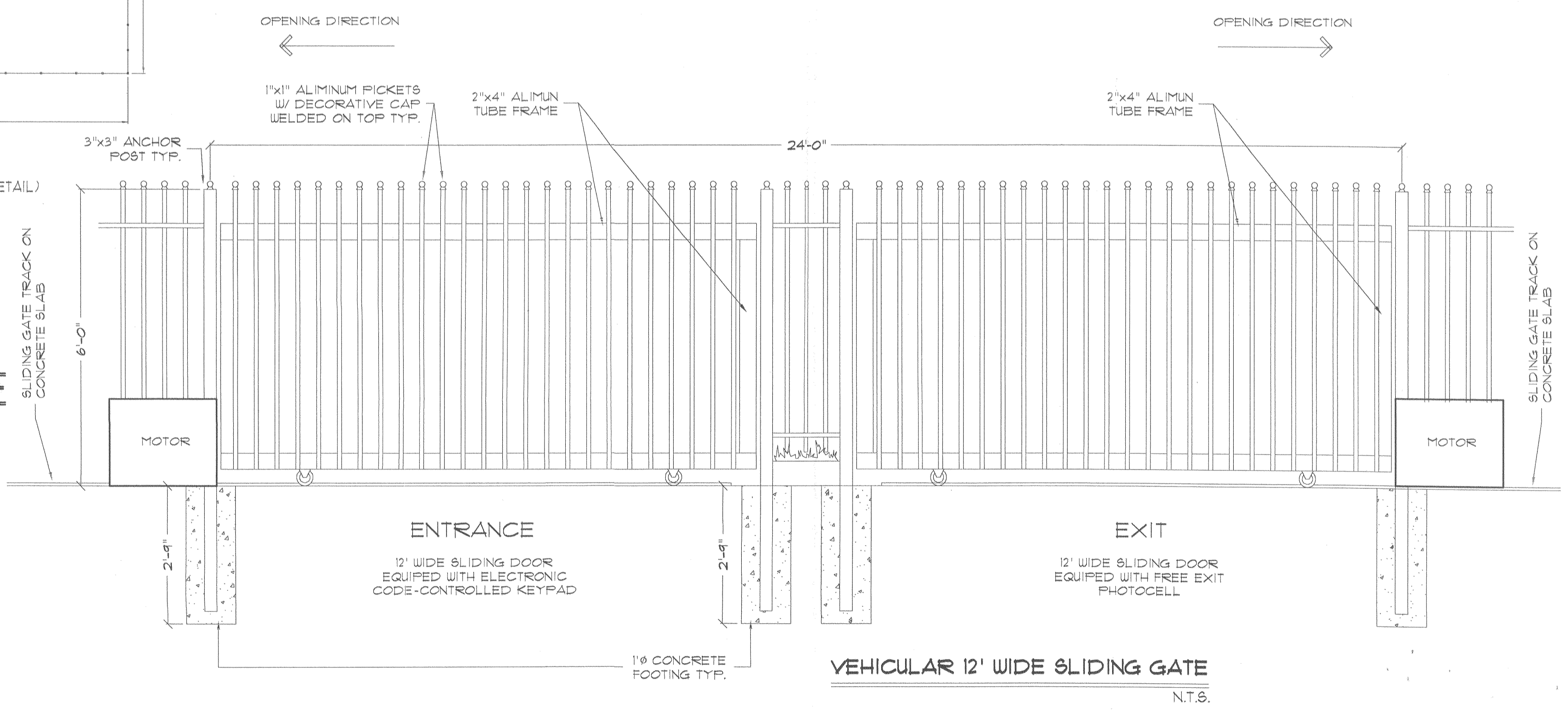
CONNECTION DETAIL  
N.T.S.



TYPICAL 12' HT. PICKET FENCE  
N.T.S.



PERSONAL ENTRY GATE  
N.T.S.



VEHICULAR 12' WIDE SLIDING GATE  
N.T.S.